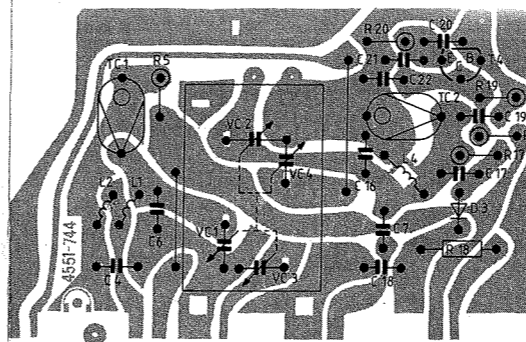
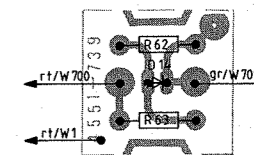


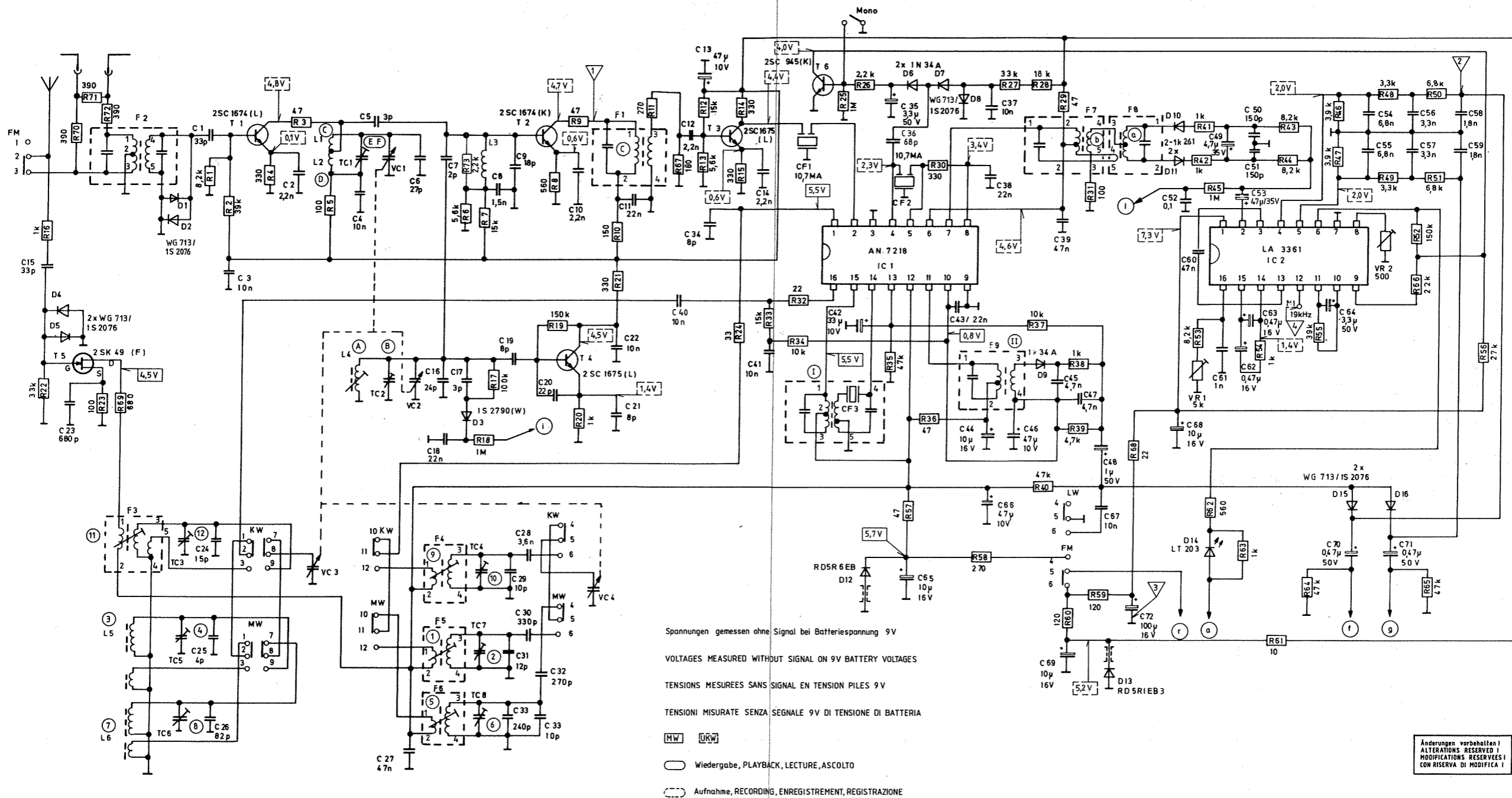
Drehko-Platte
Rotary capacitor board
C. I. capacitèur variable
Piastra condensatore variabile



LED-Platte
LED board
C. I. LED
Piastra LED



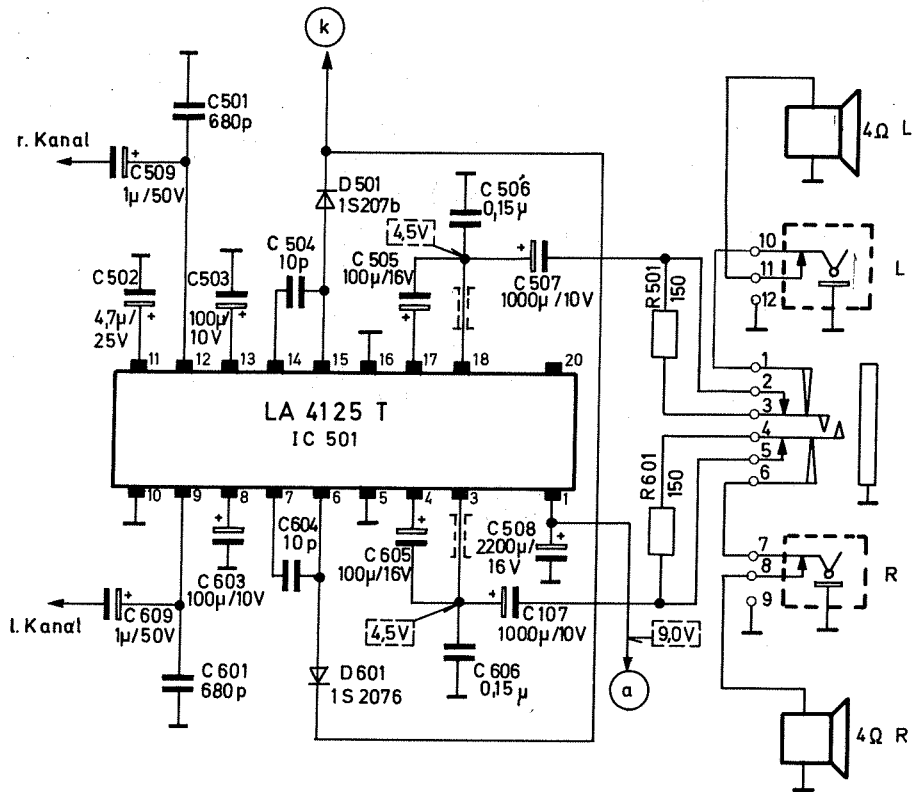
HF-ZF-Verstärker
HF-IF amp.
Ampli. HF-FI
Amplific. AF-FI



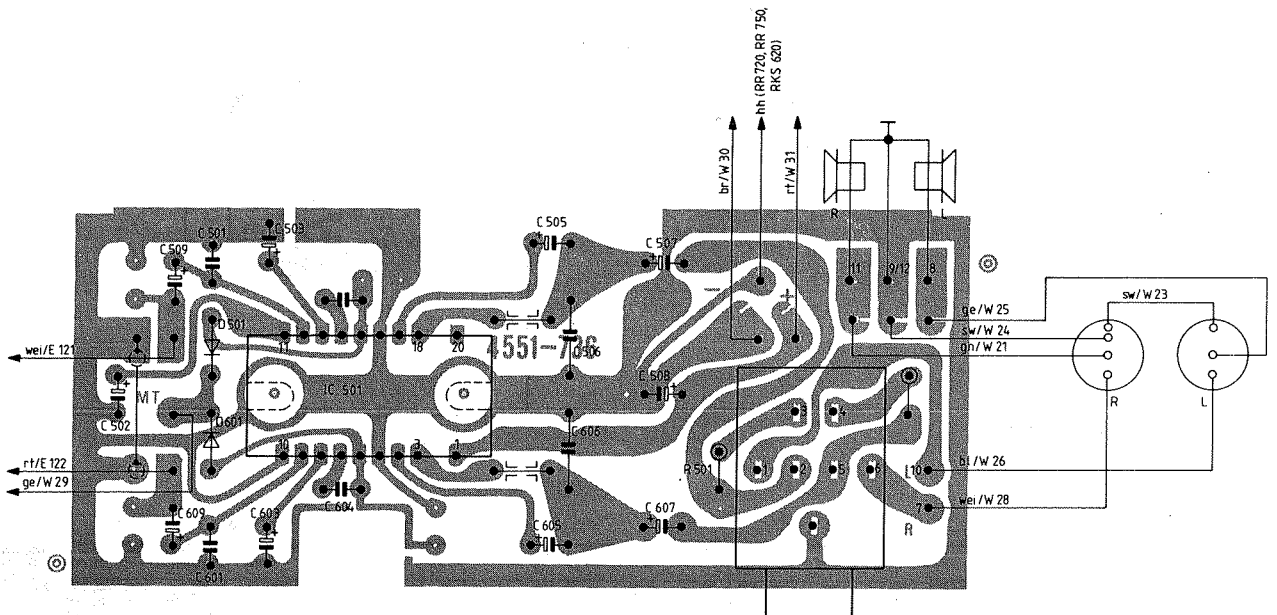
C: 15, 23	24, 25, 1, 26, 3,	2,	4,	27, 6, 16, 17, 7, 18, 19,	8, 28, 9, 20, 29, 30, 10, 21, 31, 11,	22, 33, 40,	34, 12, 13	14, 41	35, 42, 36	65, 43,	37, 38, 44, 46, 66, 39, 69, 67, 47, 48, 45,	72,	52, 68, 49, 61, 50, 51, 62, 53,	54, 55, 70,	71, 64, 56, 57,	58, 59					
R: 16, 22, 70, 71, 72,	22, 23, 69	1, 2,	4, 3,	5,	73, 6, 7, 17, 18,	8, 9, 19, 10, 20, 21	11	67, 12, 13, 24,	14, 15, 33, 32,	34	25, 26,	35, 30, 57, 36,	58, 27,	28, 37, 40, 29, 60, 39, 31, 59, 38,	68, 41, 42,	45, 53, 62, 63,	54,	43, 61, 44, 64,	46, 47, 55, 48,	49, 52, 50, 66, 51,	65, 56,

RR 621, RR 640 RR 720, RR 750

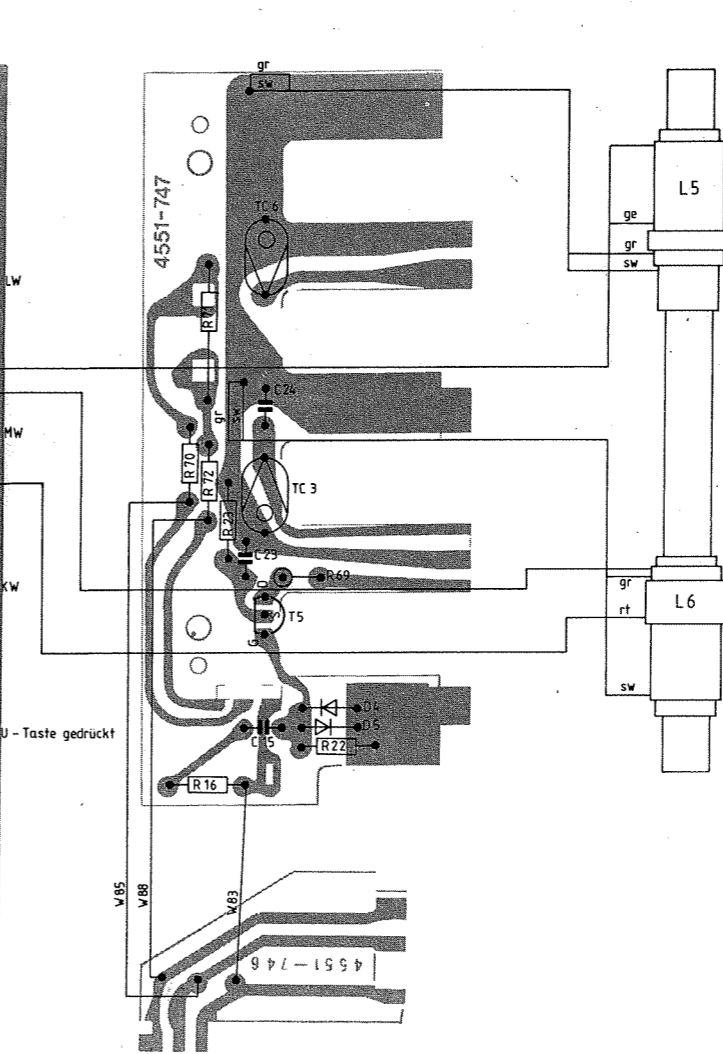
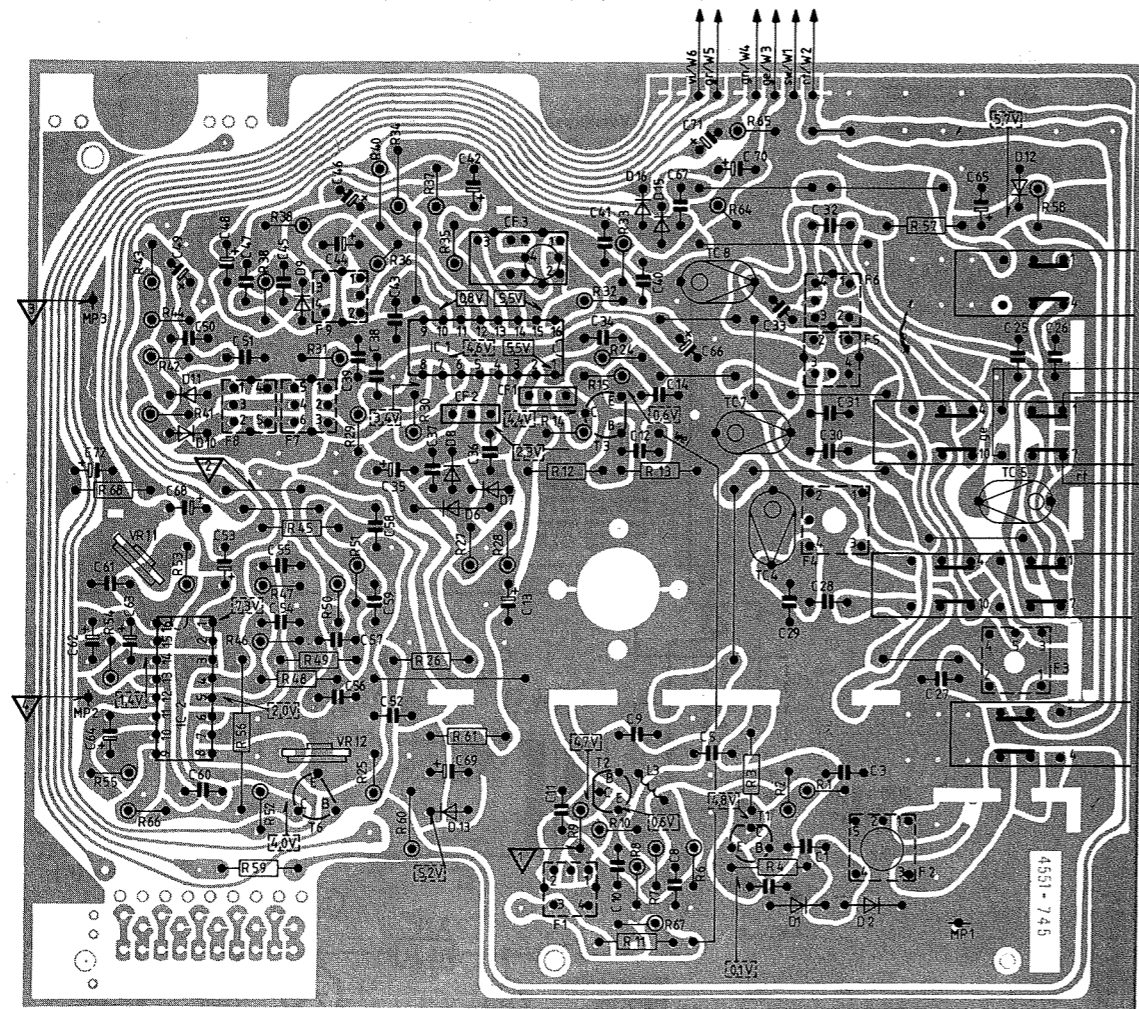
Endstufe
Output stage
Etage de sortie
Stadio finale



C:	609, 502, 509, 501, 503, 504, 505, 506, 107, 507, 508
	601, 603, 604, 605, 606.
R:	501, 601,

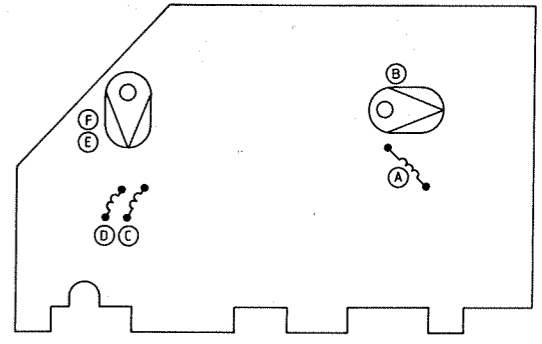
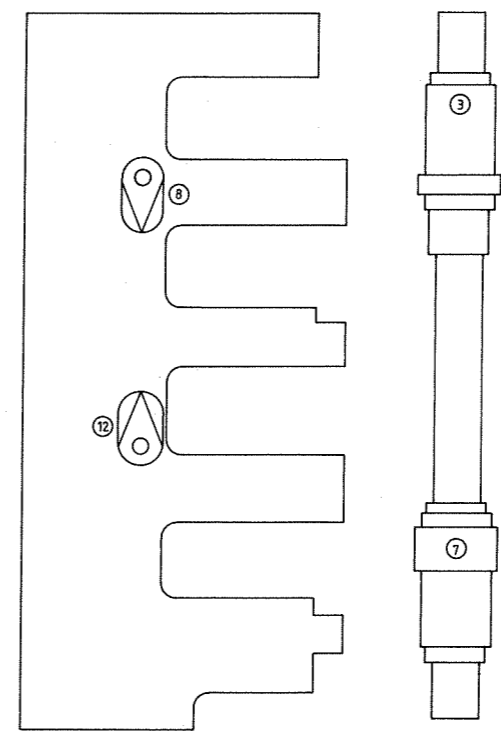
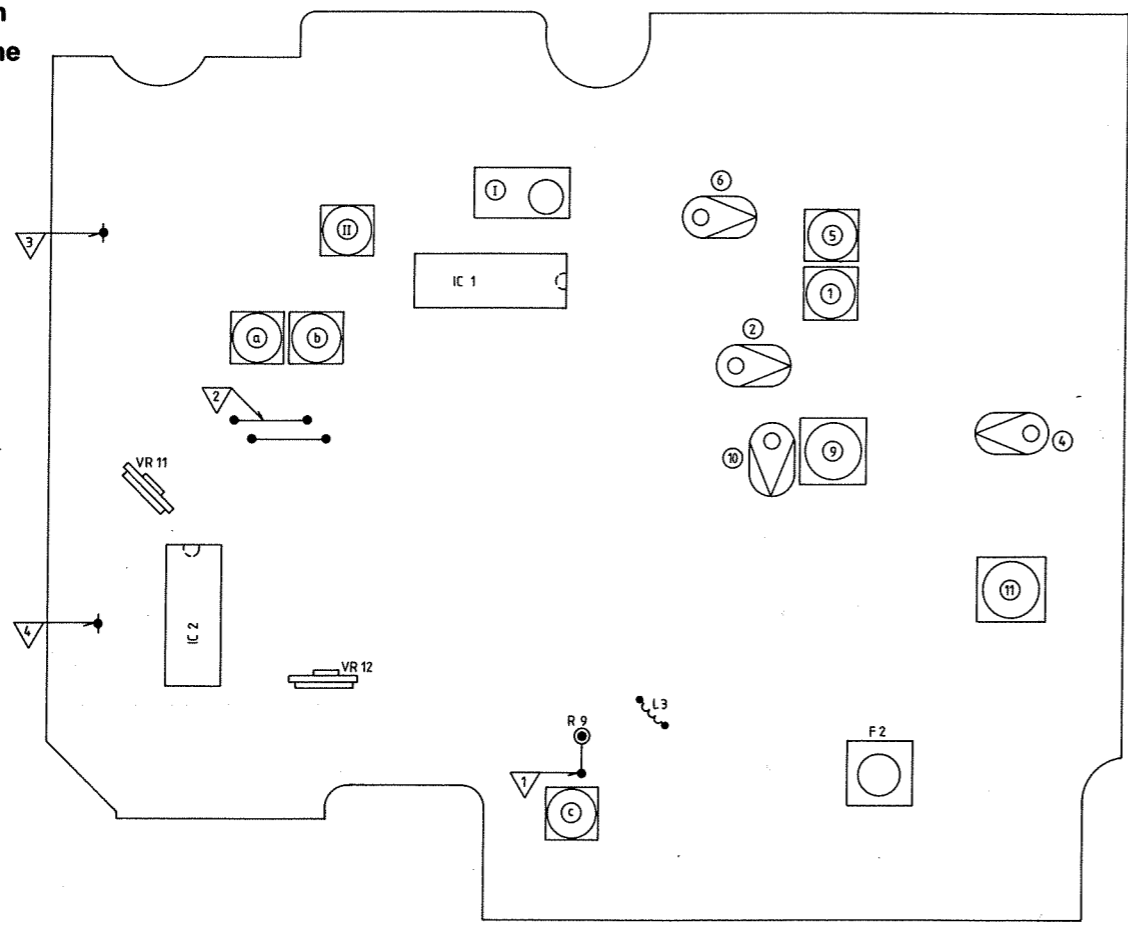


HF-ZF-Platte
 HF-IF board
 C. I. HF-FI
 Piastra AF-FI



Antennenplatte
 Aerial board
 C. I. antenne
 Piastra antenna

Rundfunk-Abgleichplan
 Radio alignment scheme
 Plan de réglage radio
 Piano taratura radio



RR 621, RR 640

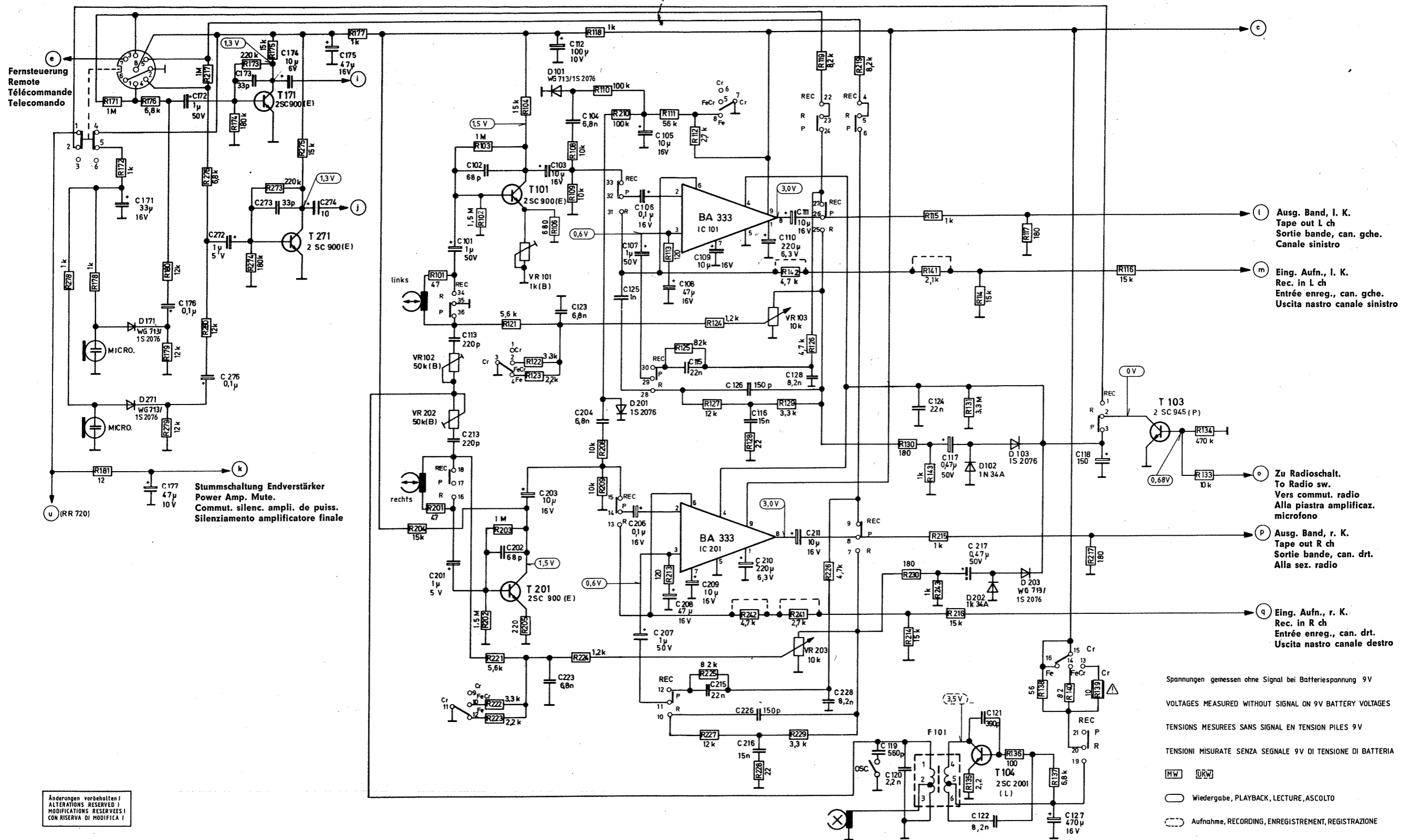
RR 720

Tonbandteil

Tape recorder unit

Partie magnétophone

Sezione registratore



Stummschaltung Endverstärker
Power Amp. Mute.
Commut. silenc. ampli. de puiss.
Silenziamento amplificatore finale

- l Ausg. Band, l. K.
Tape out L ch
Sortie bande, can. gche.
Canale sinistro
- m Eing. Aufn., l. K.
Rec. in L ch
Entrée enreg., can. gche.
Uscita nastro canale sinistro
- k Zu Radioschalt.
To Radio sw.
Vers commut. radio
Alla piastra amplificaz.
microfono
- p Ausg. Band, r. K.
Tape out R ch
Sortie bande, can. drt.
Alla sez. radio
- q Eing. Aufn., r. K.
Rec. in R ch
Entrée enreg., can. drt.
Uscita nastro canale destro

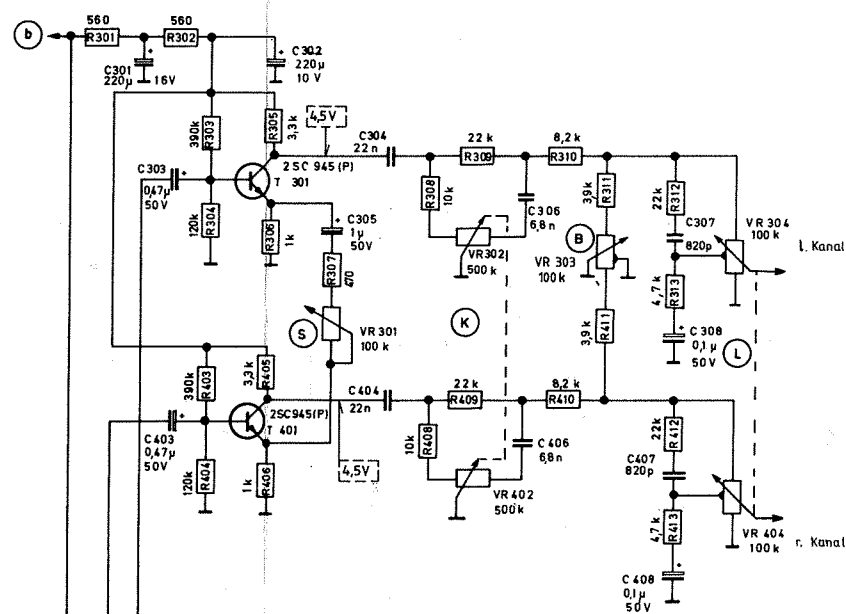
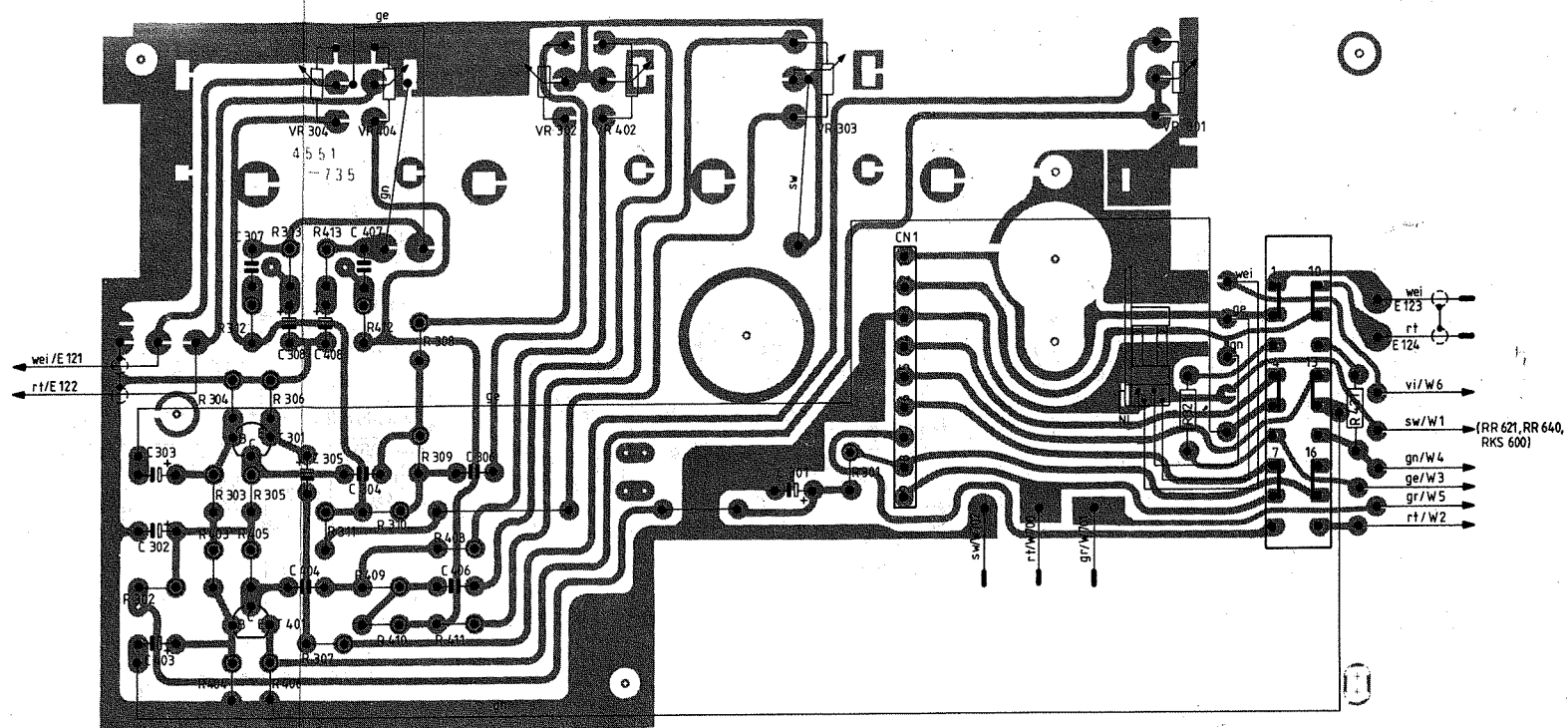
Spannungen gemessen ohne Signal bei Batteriespannung 9V
VOLTAGES MEASURED WITHOUT SIGNAL ON 9V BATTERY VOLTAGES
TENSIONS MESUREES SANS SIGNAL EN TENSION PILES 9V
TENSIONI MISURATE SENZA SEGNALE 9V DI TENSIONE DI BATTERIA

Wiedergabe, PLAYBACK, LECTURE, ASCOLTO
Aufnahme, RECORDING, ENREGISTREMENT, REGISTRAZIONE

Anderungen vorbehalten!
ALTERATIONS RESERVED!
MODIFICAZIONI RISERVATE!
CON RISERVA DI MODIFICA!

C:	171, 177, 176, 172, 276, 272, 173, 273, 174, 274, 175	101, 113, 102, 213, 202, 203, 103, 223, 112, 123, 204, 225, 105, 206, 207, 108, 209, 109, 215, 210, 226, 216, 110, 111, 211, 228, 128, 119, 120, 124, 117, 217, 121, 122, 127, 118	125, 105, 206, 225, 108, 209, 209, 109, 215, 210, 226, 216, 110, 111, 211, 228, 128, 119, 120, 124, 117, 217, 121, 122, 127, 118	130, 115, 230, 215, 216, 131, 114, 214, 141, 143, 243, 135, 136, 117, 138, 137, 140, 217, 116, 134, 133
R:	378, 178, 171, 172, 176, 180, 277, 276, 278, 280, 114, 173, 175, 275, 177, 204, 201, 103, 102, 121, 222, 222, 203, 104, 123, 106, 109, 224, 208, 223, 221, 205, 101, 101, 103, 102, 121, 222, 222, 203, 104, 123, 106, 109, 224, 208, 223, 221, 205, 111, 113, 125, 112, 124, 128, 227, 225, 241, 229, 126, 130, 115, 230, 215, 216, 131, 114, 214, 141, 143, 243, 135, 136, 117, 138, 137, 140, 217, 116, 134, 133			

NF-Vorverstärker
AF preamplifier
Préampli BF
Preamplificatore BF



Spannungen gemessen ohne Signal bei Batteriespannung 9V

VOLTAGES MEASURED WITHOUT SIGNAL ON 9V BATTERY VOLTAGES

TENSIONS MESUREES SANS SIGNAL EN TENSION PILES 9V

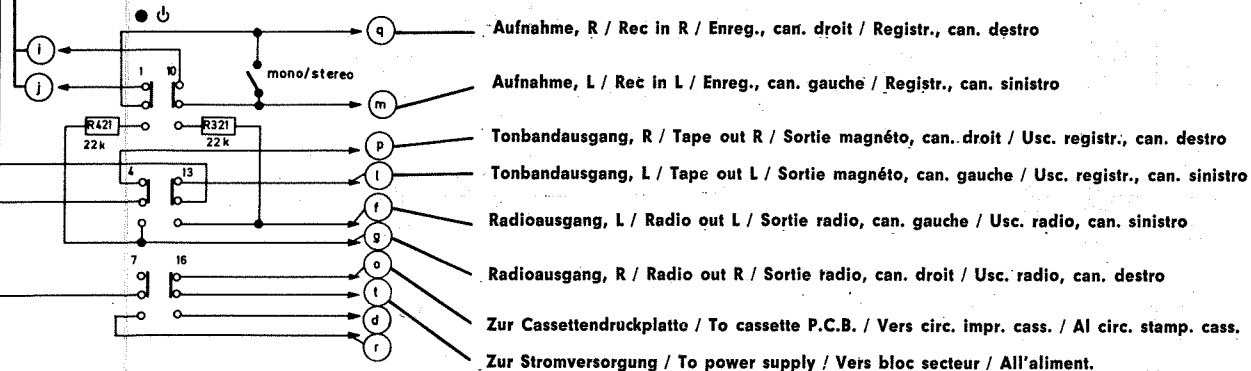
TENSIONI MISURATE SENZA SEGNALE 9V DI TENSIONE DI BATTERIA

MW **UKW**

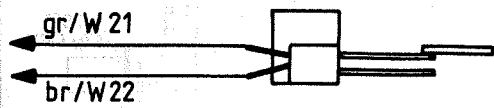
○ Wiedergabe, PLAYBACK, LECTURE, ASCOLTO

○ Aufnahme, RECORDING, ENREGISTREMENT, REGISTRAZIONE

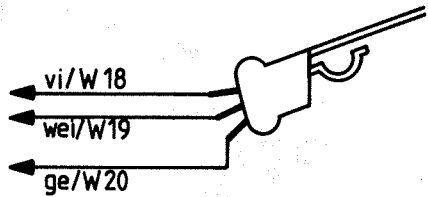
Mikrofonverstärkerausgang
Mic. ampout
Sorti ampli. micro.
Usc. amplif. micr.



Motorschalter
Motor sw.
Commut. moteur
Commut. motore

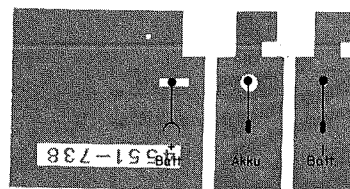
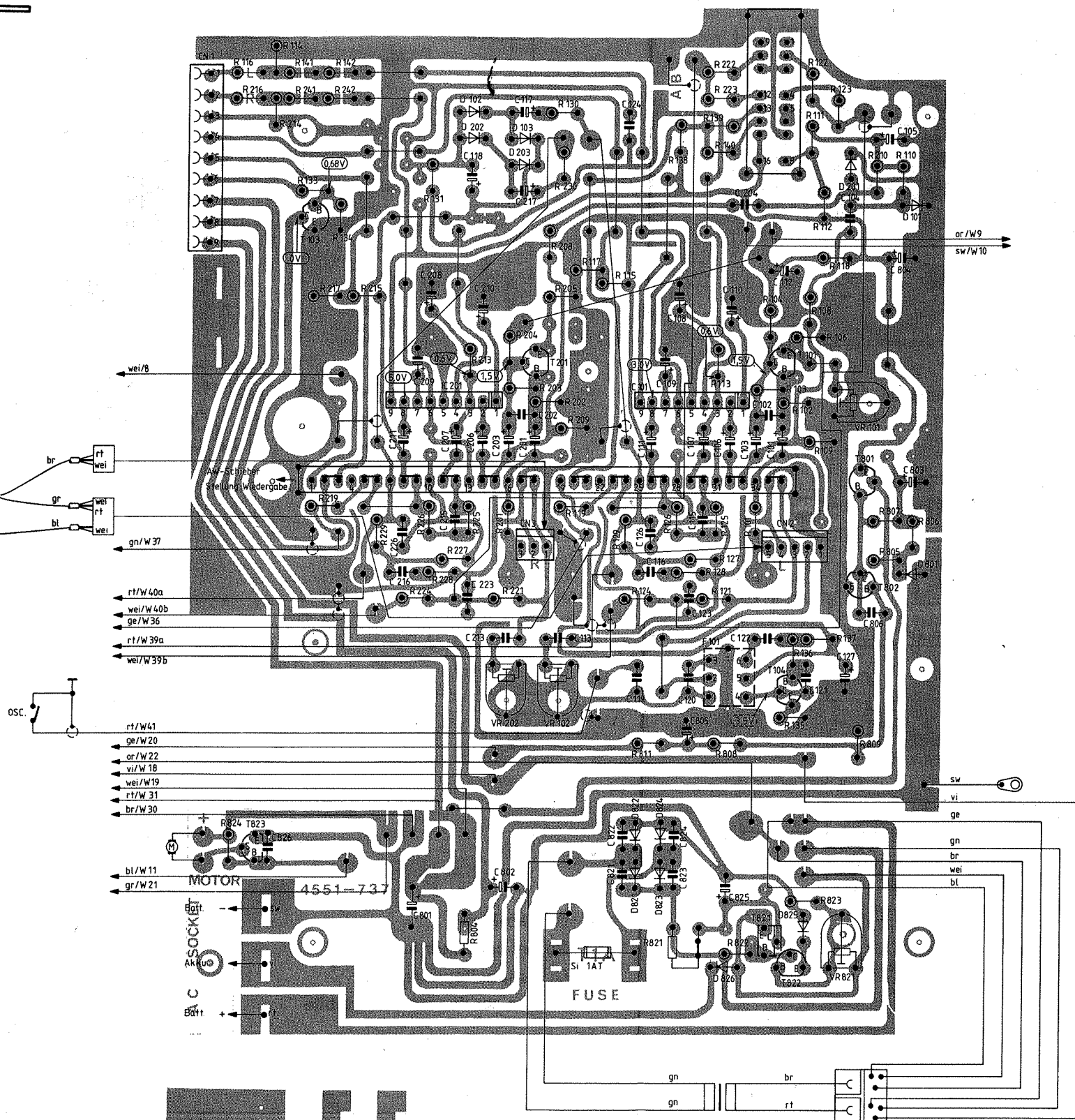
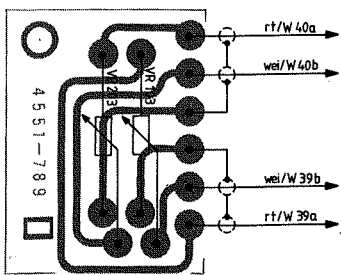


Verstärkerschalter
Amp. sw.
Commat. ampli.
Commat. amplif.



Tonbandplatte
Tape board
C. I. magnéphone
Piastra registratore

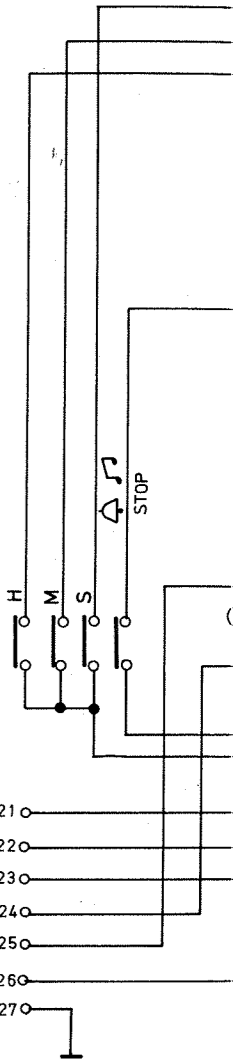
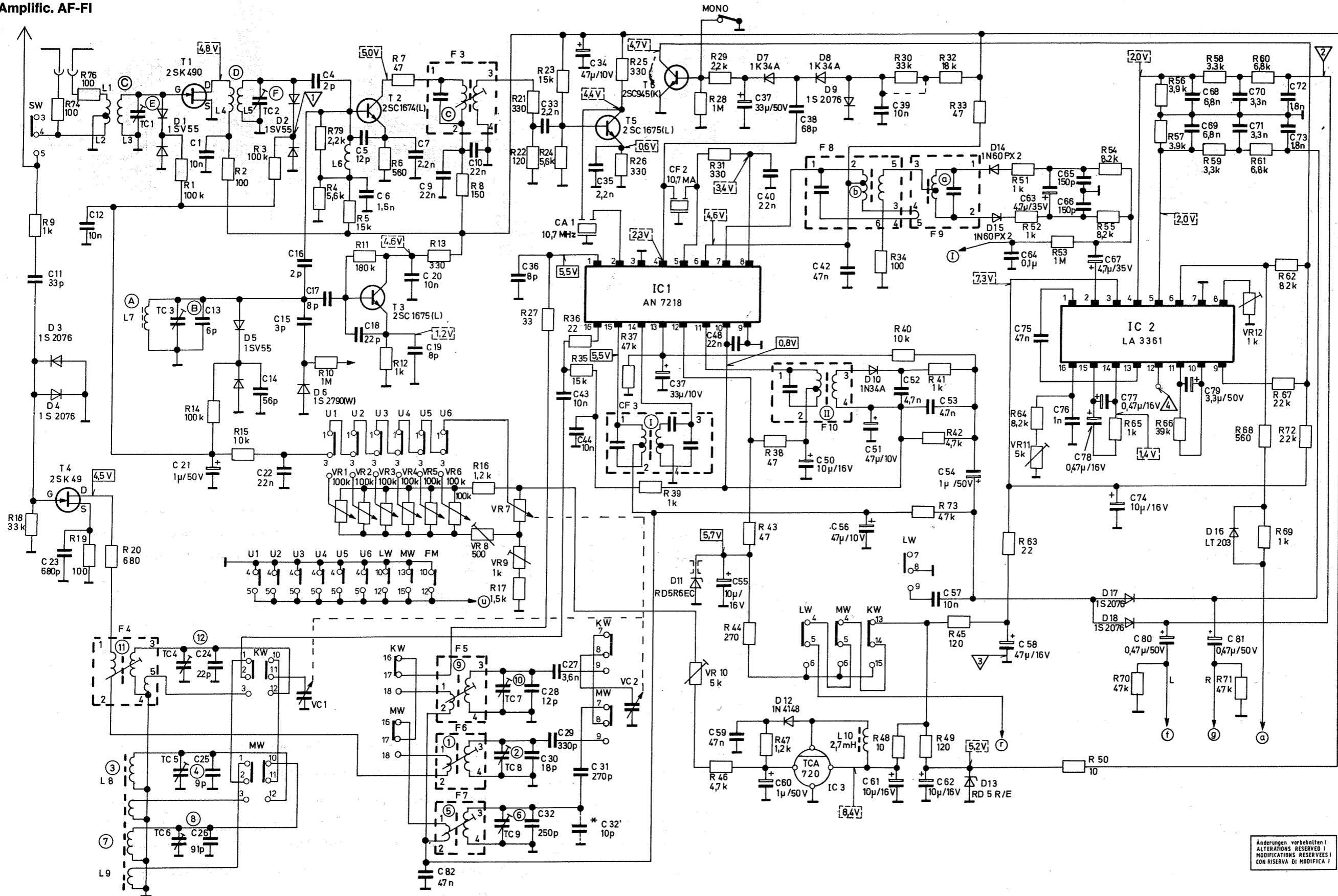
VAT-Platte
VAT board
C. I. VAT
Piastra VAT



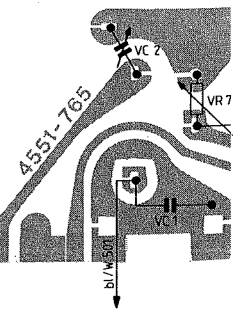
RR 720, RR 750

HF-ZF-Verstärker
 HF-IF amp.
 Ampli. HF-FI
 Amplific. AF-FI

Uhr (nur RR 750)
 Clock (RR 750 only)
 Horloge (seulement RR 750)
 Orologio (solo RR 750)



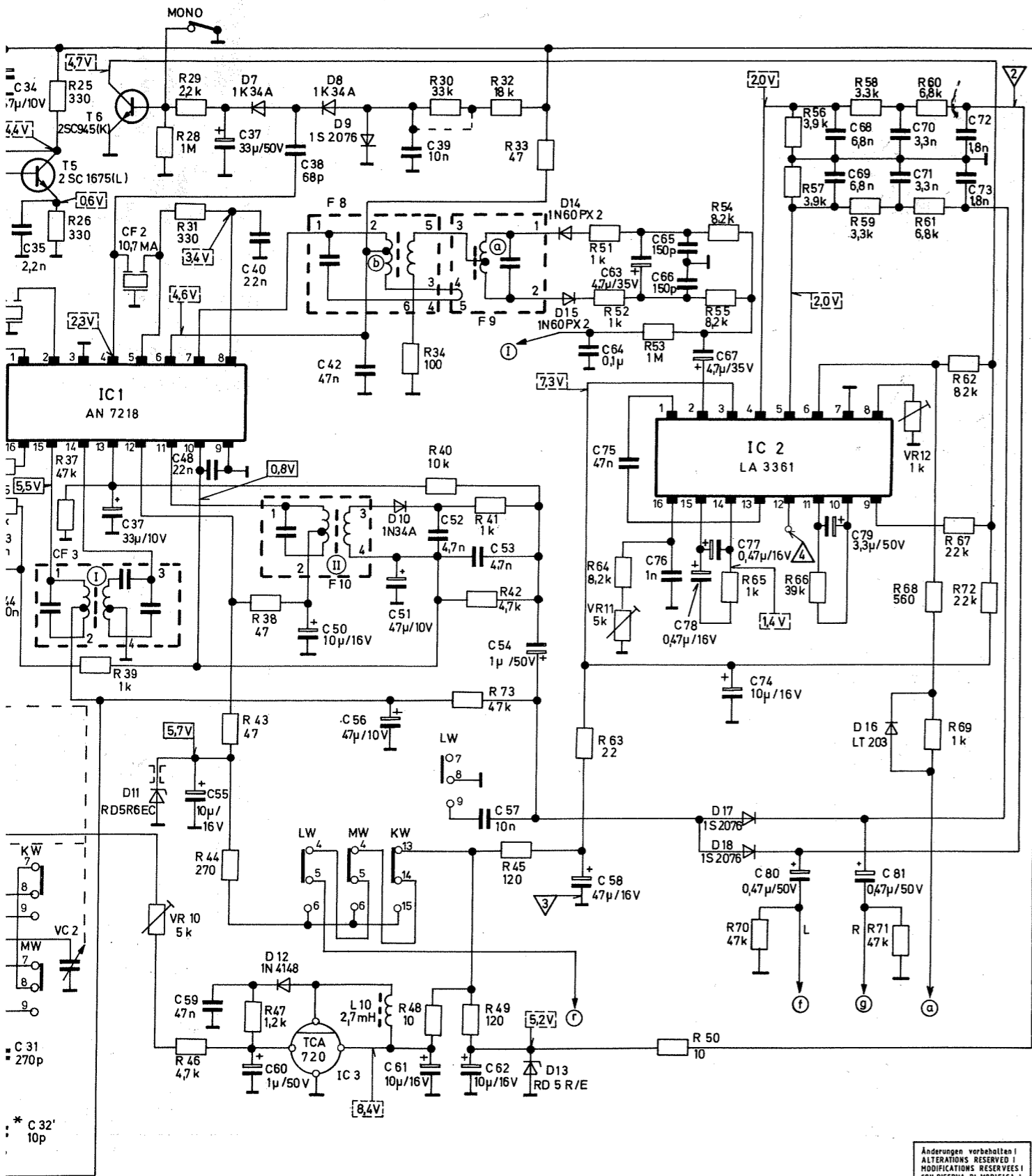
Drehko-Platte
 Rotary capacitor bc
 C. I. capaciteur vari
 Piastra condensato



C:	11,	12,	1, 13, 21, 24, 25, 26, 4,	22,	15, 16, 4, 17,	5, 18, 6,	7, 20, 19,	9, 10,	33, 36, 28, 30, 32, 27,	43, 31, 34, 44, 35,	37,	48, 55, 59, 37, 40, 60,	38, 50,	56, 39, 51, 52, 61, 62,	57, 53,	54,	58,	75, 63, 65, 66, 76, 67, 68, 77, 74,	80,	68, 69,	79,	81,	70, 71,	72, 73,
R:	18, 9, 74,	76, 19,	20,	1,	2, 14,	15,	3,	79, 4, 10, 5,	11, 6, 7, 12,	13,	8,	16,	17, 21, 22, 23, 24, 27,	36, 35, 25, 26, 37,	39,	28, 29, 31, 46, 43, 44,	3, 8, 47,	34, 30, 40, 48, 41, 42, 73, 49, 3, 2, 33,	63, 51, 52, 64, 53,	50,	54, 55, 65,	70, 56, 57, 66,	58, 59,	60, 61, 71, 68, 69, 62, 67, 72,

Änderungen vorbehalten!
 ALTERATIONS RESERVED!
 MODIFICATIONS RESERVEES!
 CON RISERVA DI MODIFICA!

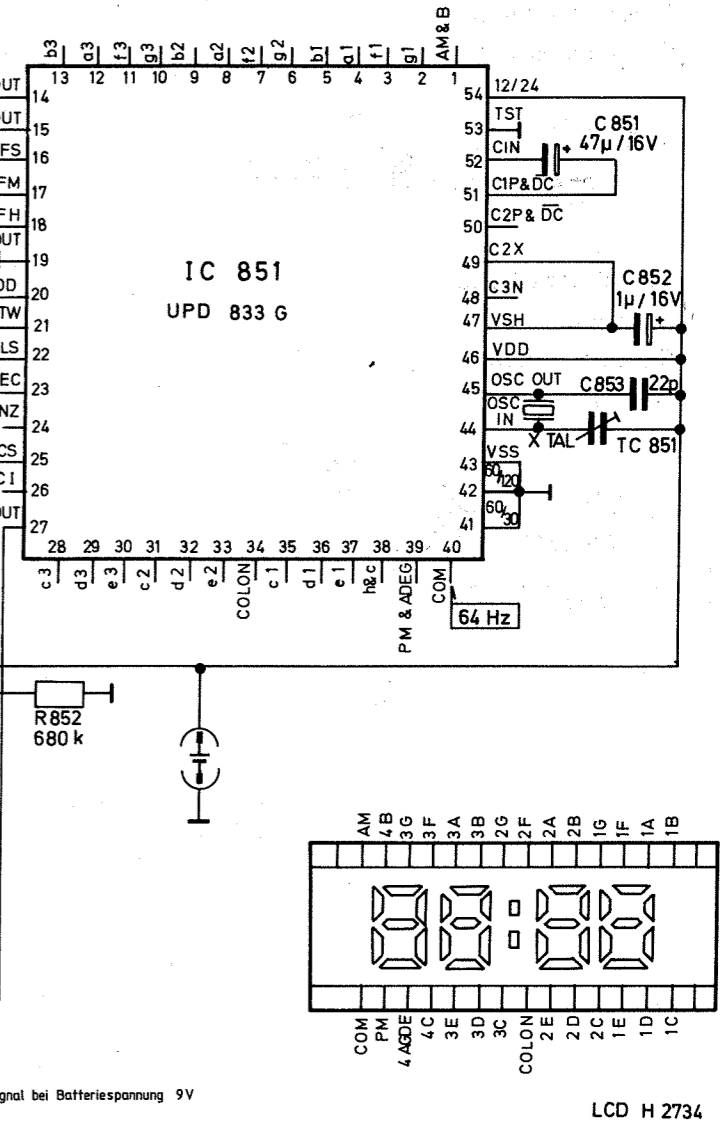
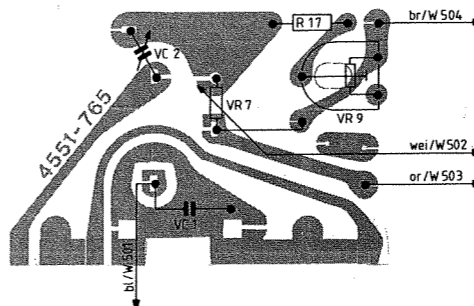
Uhr (nur RR 750)
 Clock (RR 750 only)
 Horloge (seulement RR 750)
 Orologio (solo RR 750)



Änderungen vorbehalten!
 ALTERATIONS RESERVED!
 MODIFICAZIONI RISERVATE!
 CON RISERVA DI MODIFICA!

4,44,35,	37,	48,55, 59,37,40,60, 38, 50,	56,39,51,52,61, 62, 57, 53,	54,	58, 75, 63,65,66,76,67,68,77,74, 80, 68, 69,	79,	81, 70, 71, 72, 73,
5,35, 25,26,37, 39,	28, 29,31,46, 43, 44, 38, 47,	34,30, 40,48,41,42,73,49,3,2,33,	63,51,52, 64, 53,	50,	54,55, 65, 70,56,57,66, 58,59,	60,61,71,68,69,62,67, 72,	

Drehko-Platte
 Rotary capacitor board
 C. I. capacitèur variable
 Piastra condensatore variabile



Spannungen gemessen ohne Signal bei Batteriespannung 9V
 VOLTAGES MEASURED WITHOUT SIGNAL ON 9V BATTERY VOLTAGES
 TENSIONS MESUREES SANS SIGNAL EN TENSION PILES 9V
 TENSIONI MISURATE SENZA SEGNALE 9V DI TENSIONE DI BATTERIA

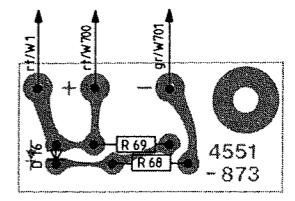
MW UKW

Wiedergabe, PLAYBACK, LECTURE, ASCOLTO

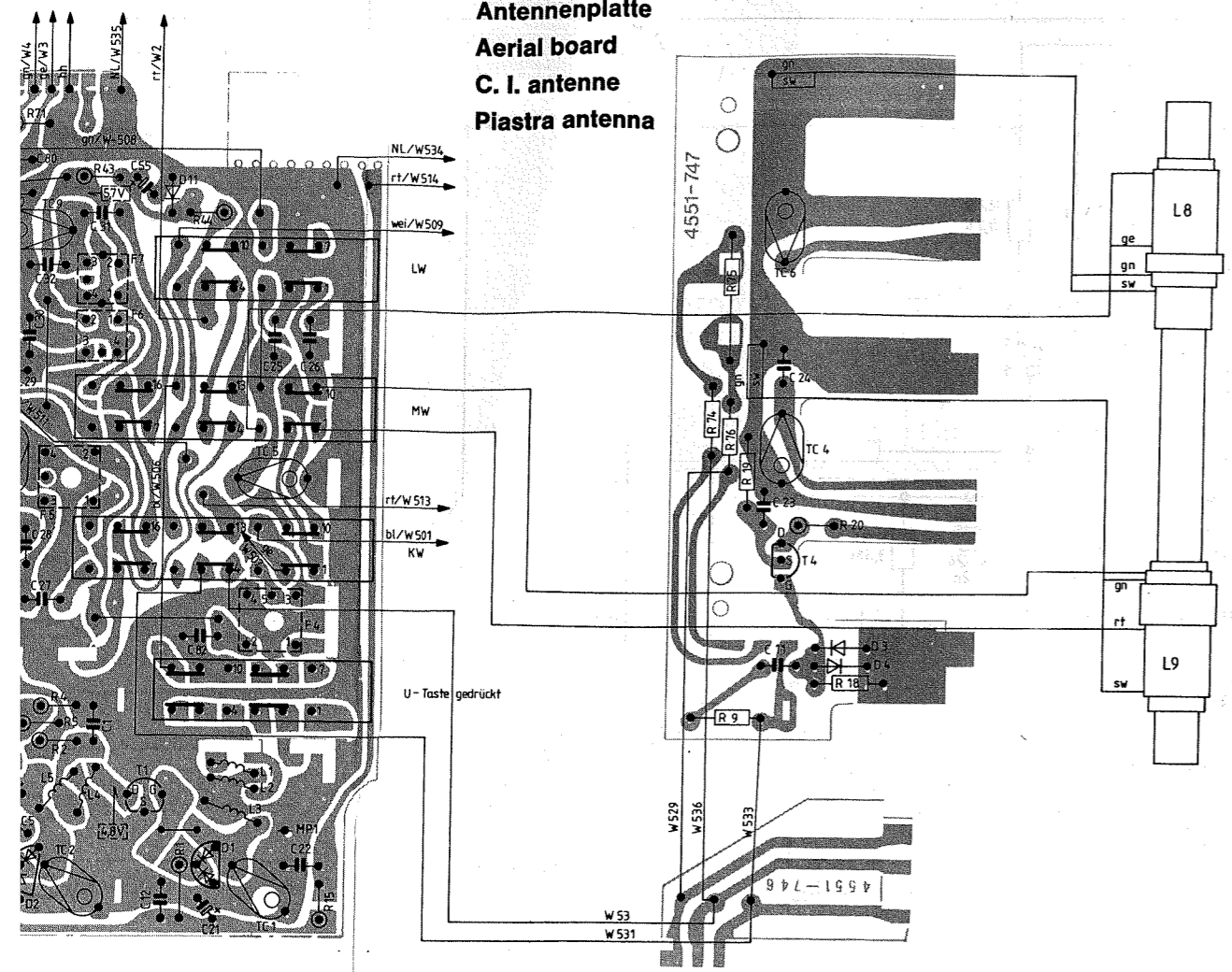
Aufnahme, RECORDING, ENREGISTREMENT, REGISTRAZIONE

LCD H 2734

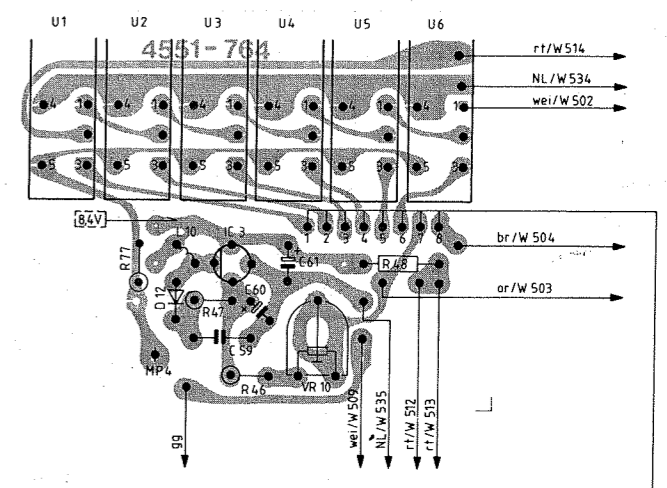
LED-Platte
 LED board
 C. I. LED
 Piastra LED



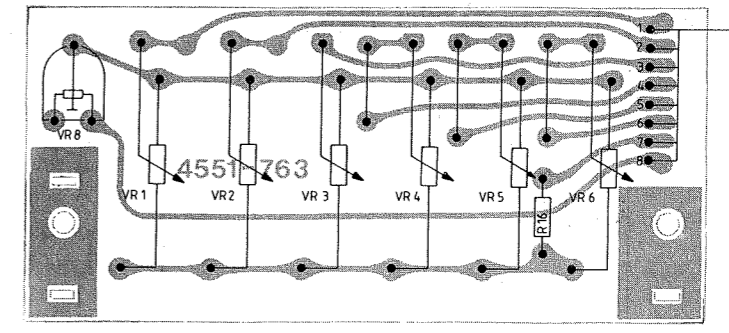
Antennenplatte
Aerial board
C. I. antenne
Piastra antenna



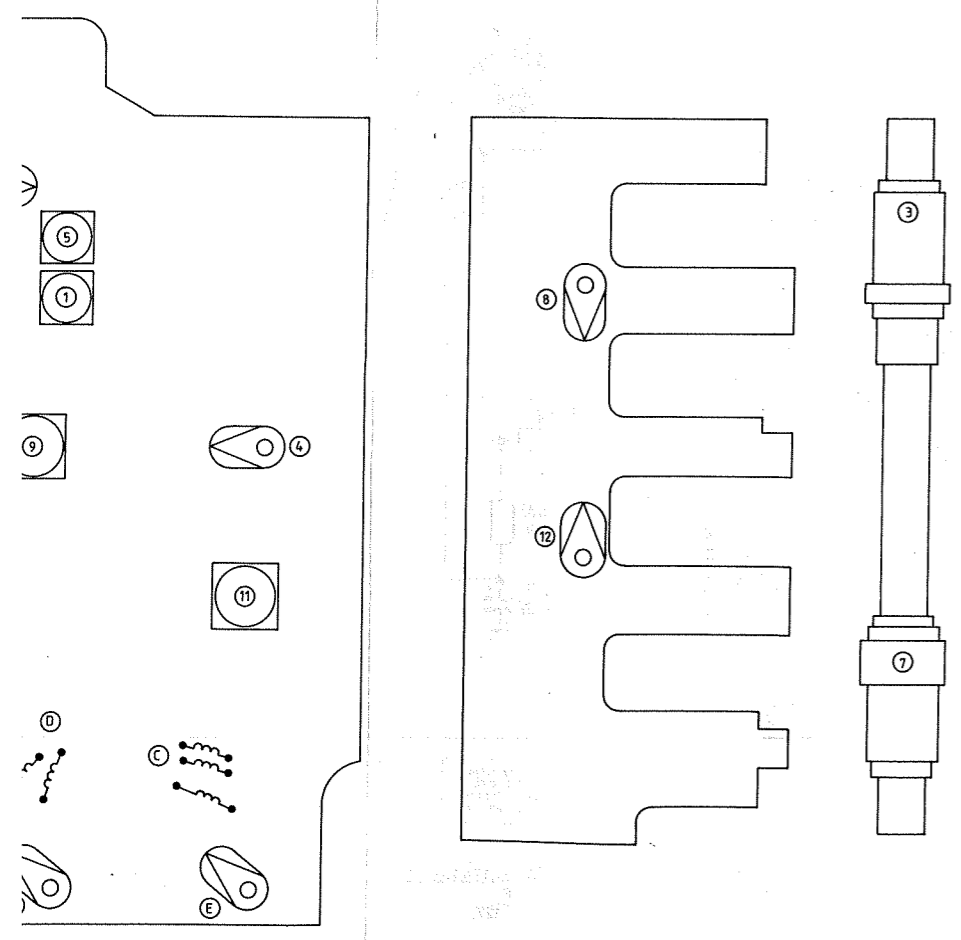
FM-Tastenplatte
FM button board
C. I. clavier FM
Piastra tasti FM



FM-Reglerplatte
FM control board
C. I. régulation FM
Piastra regolatori FM

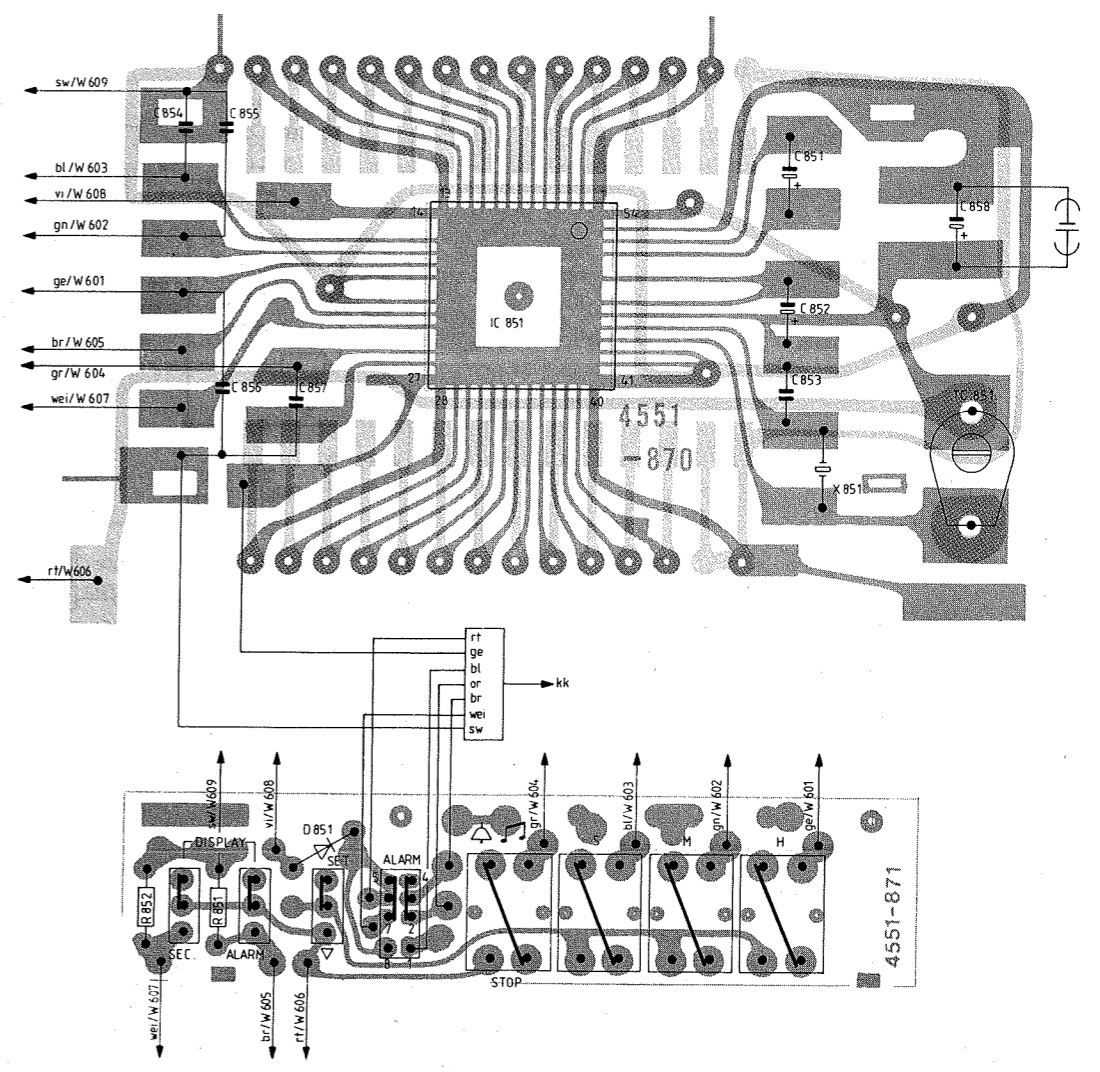


Uhren-Platten (nur RR 750)
Clock boards (RR 750 only)
C. Is. horloge (seulement RR 750)
Piastra orologio (solo RR 750)

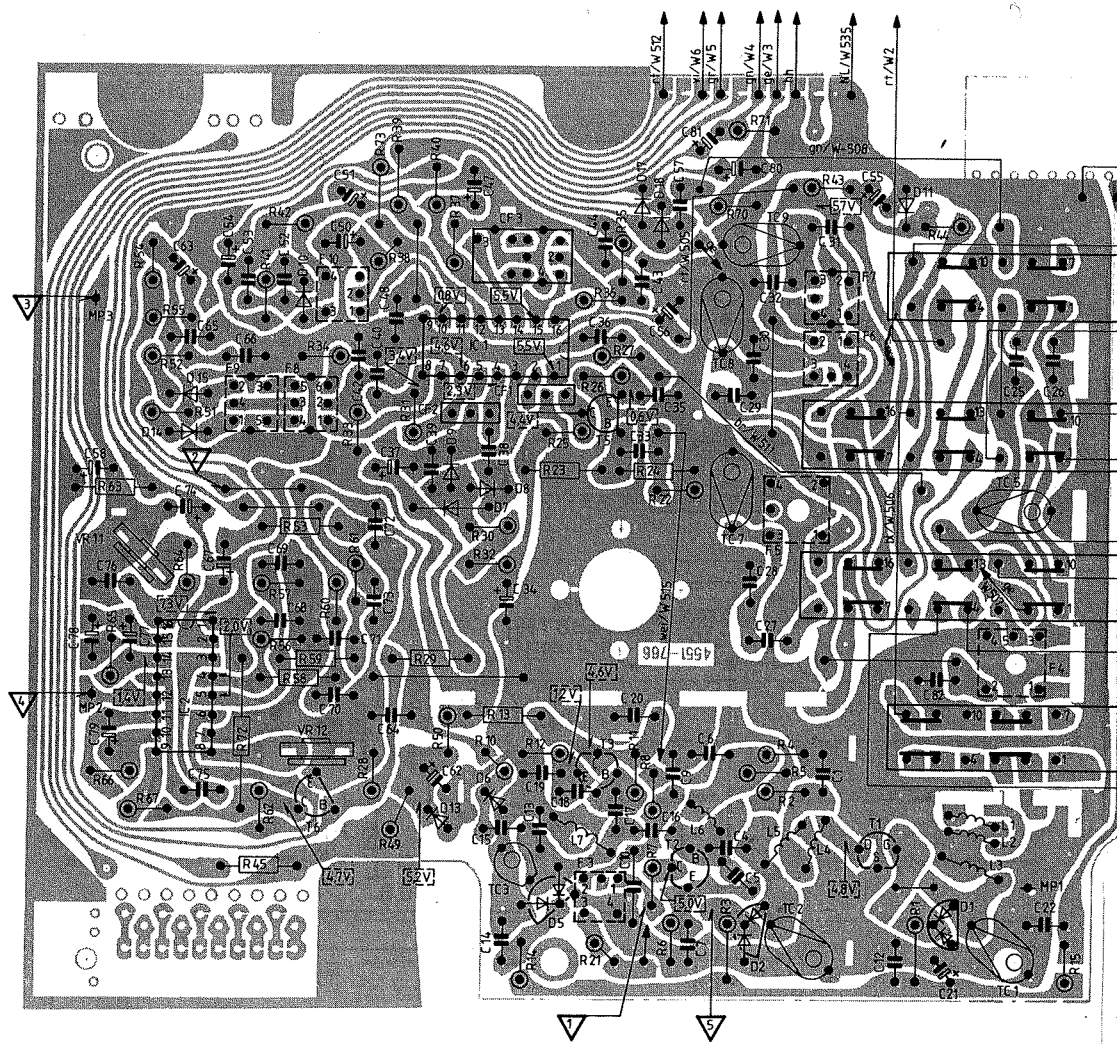


Lötseite
SOLDER SIDE
COTE DES SOUDURES
LATO SALDATURA

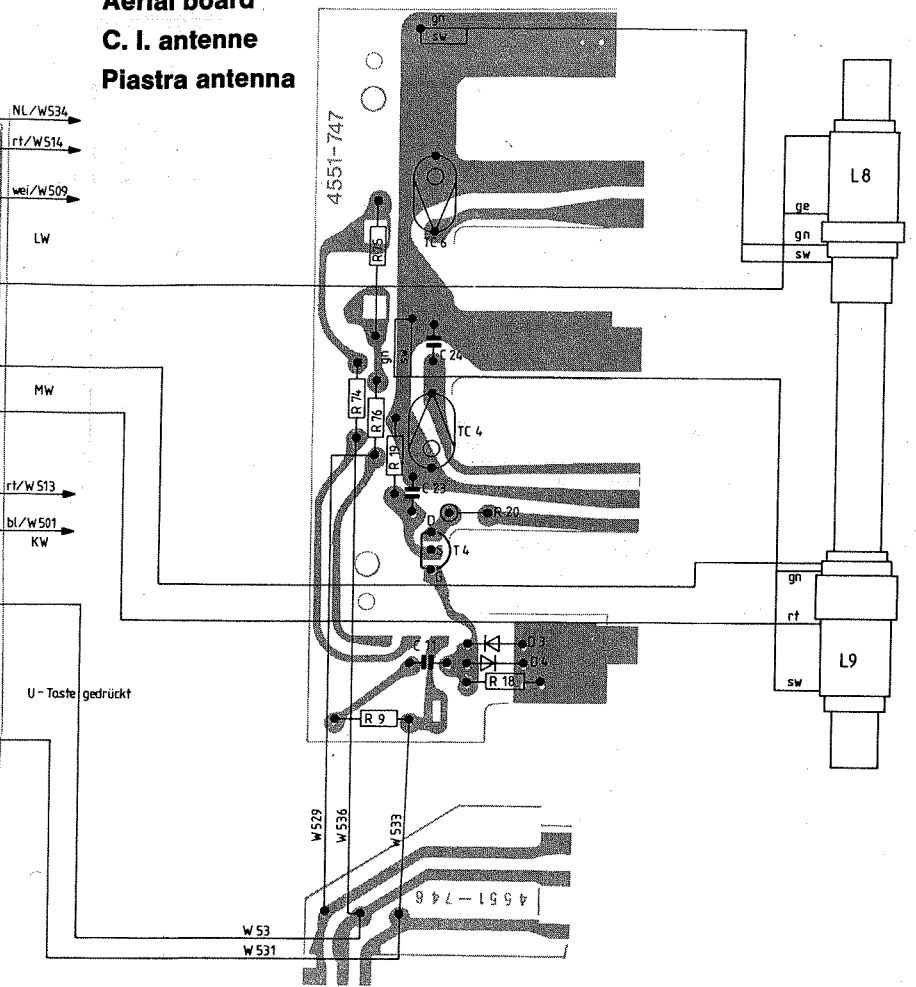
Bestückungsseite
COMPONENT SIDE
COTE DES COMPOSANTS
LATO COMPONENTI



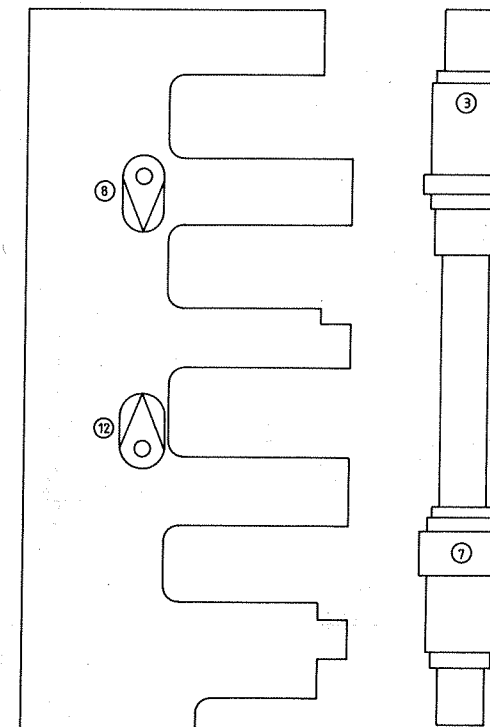
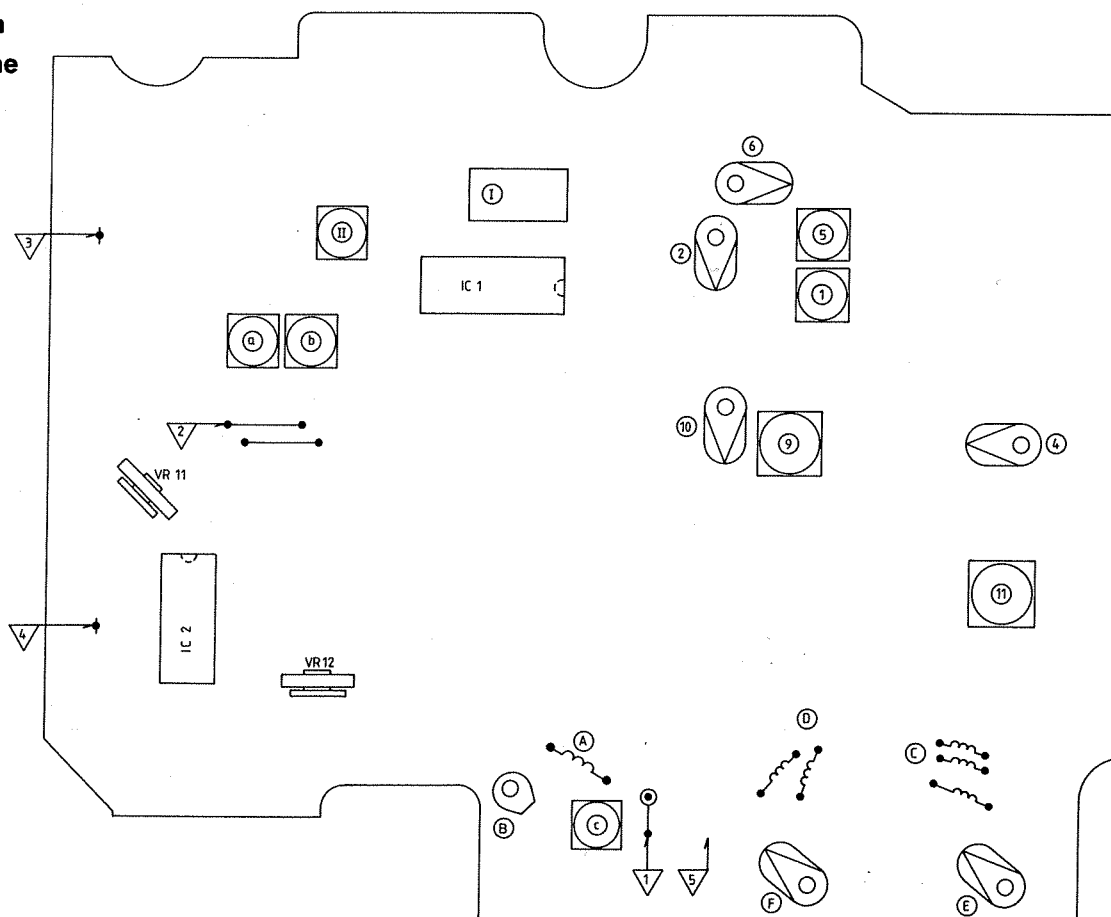
HF-ZF-Platte
 HF-IF board
 C. I. HF-FI
 Piastra AF-FI



Antennenplatte
 Aerial board
 C. I. antenne
 Piastra antenna



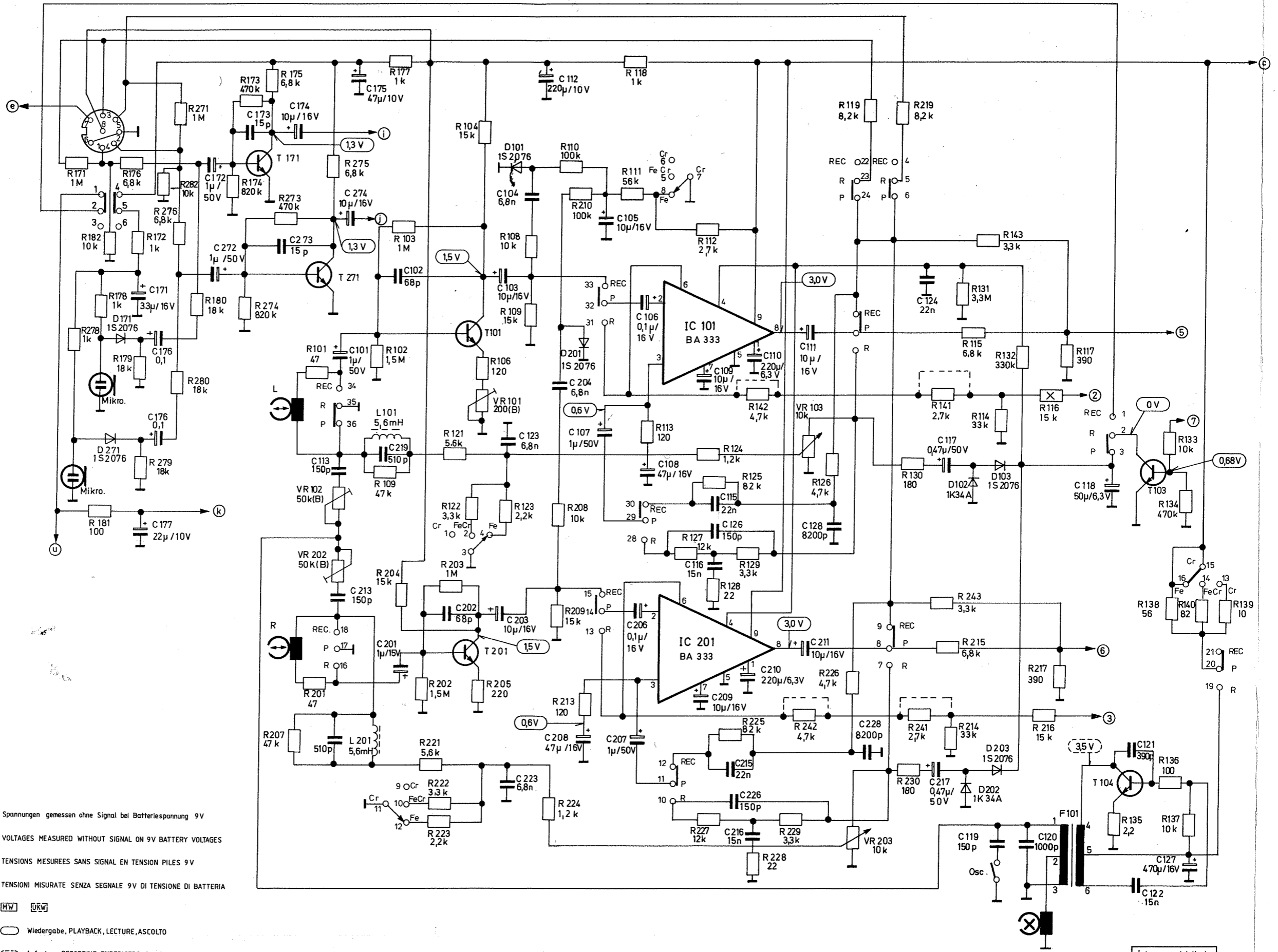
Rundfunk-Abgleichplan
 Radio alignment scheme
 Plan de réglage radio
 Piano taratura radio



Lötseite
 SOLDER SIDE
 COTE DES SOUDURE
 LATO SALDATURA

RR 750

Tonbandteil
Tape recorder unit
Partie magnétophone
Sezione registratore



Spannungen gemessen ohne Signal bei Batteriespannung 9V
VOLTAGES MEASURED WITHOUT SIGNAL ON 9V BATTERY VOLTAGES
TENSIONS MESUREES SANS SIGNAL EN TENSION PILES 9V
TENSIONI MISURATE SENZA SEGNALE 9V DI TENSIONE DI BATTERIA

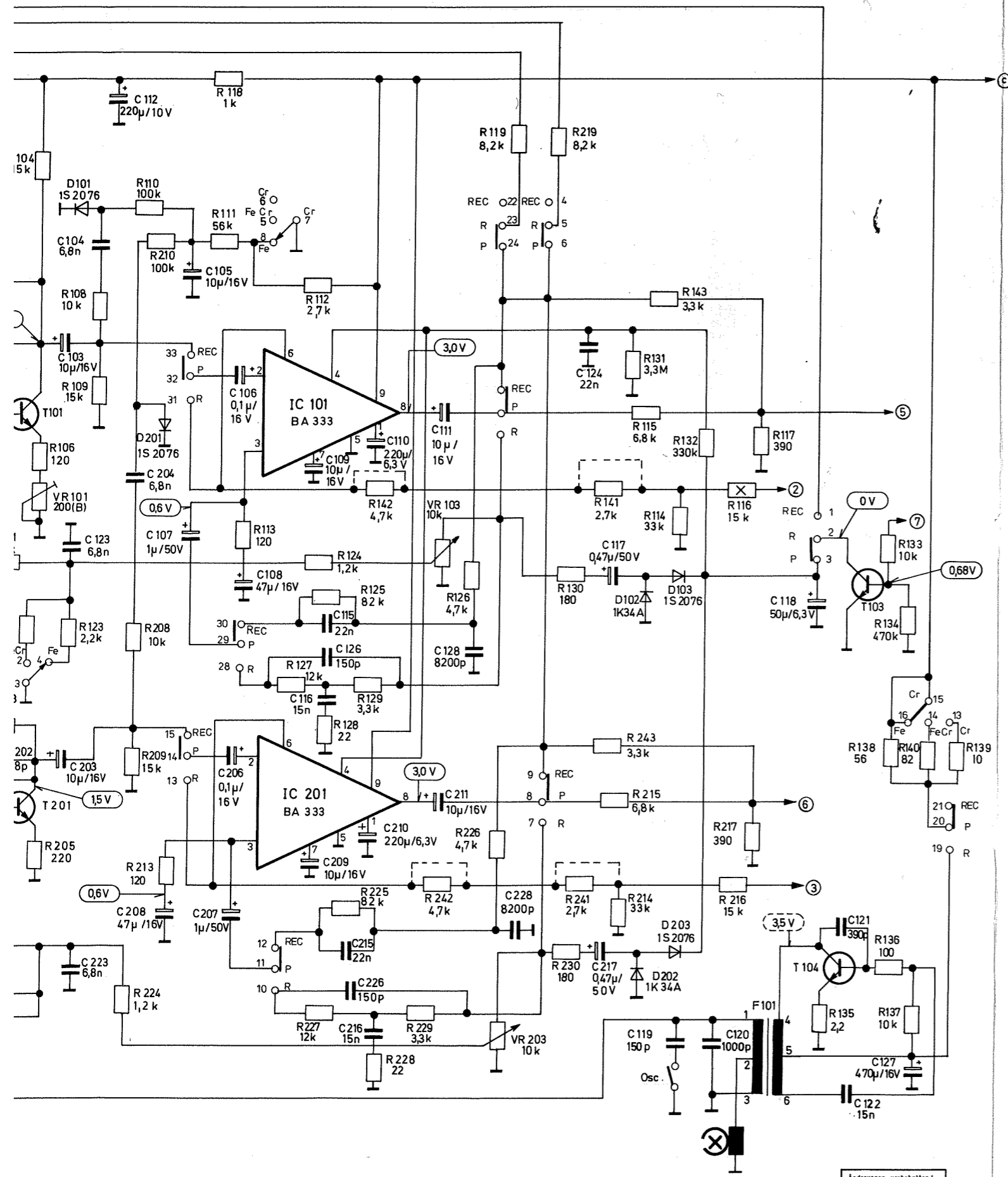
MW **UKW**

Wiedergabe, PLAYBACK, LECTURE, ASCOLTO

Aufnahme, RECORDING, ENREGISTREMENT, REGISTRAZIONE

Anderungen vorbehalten |
ALTERATIONS RESERVED |
MODIFICAZIONI RISERVATE |
CON RISERVA DI MODIFICA |

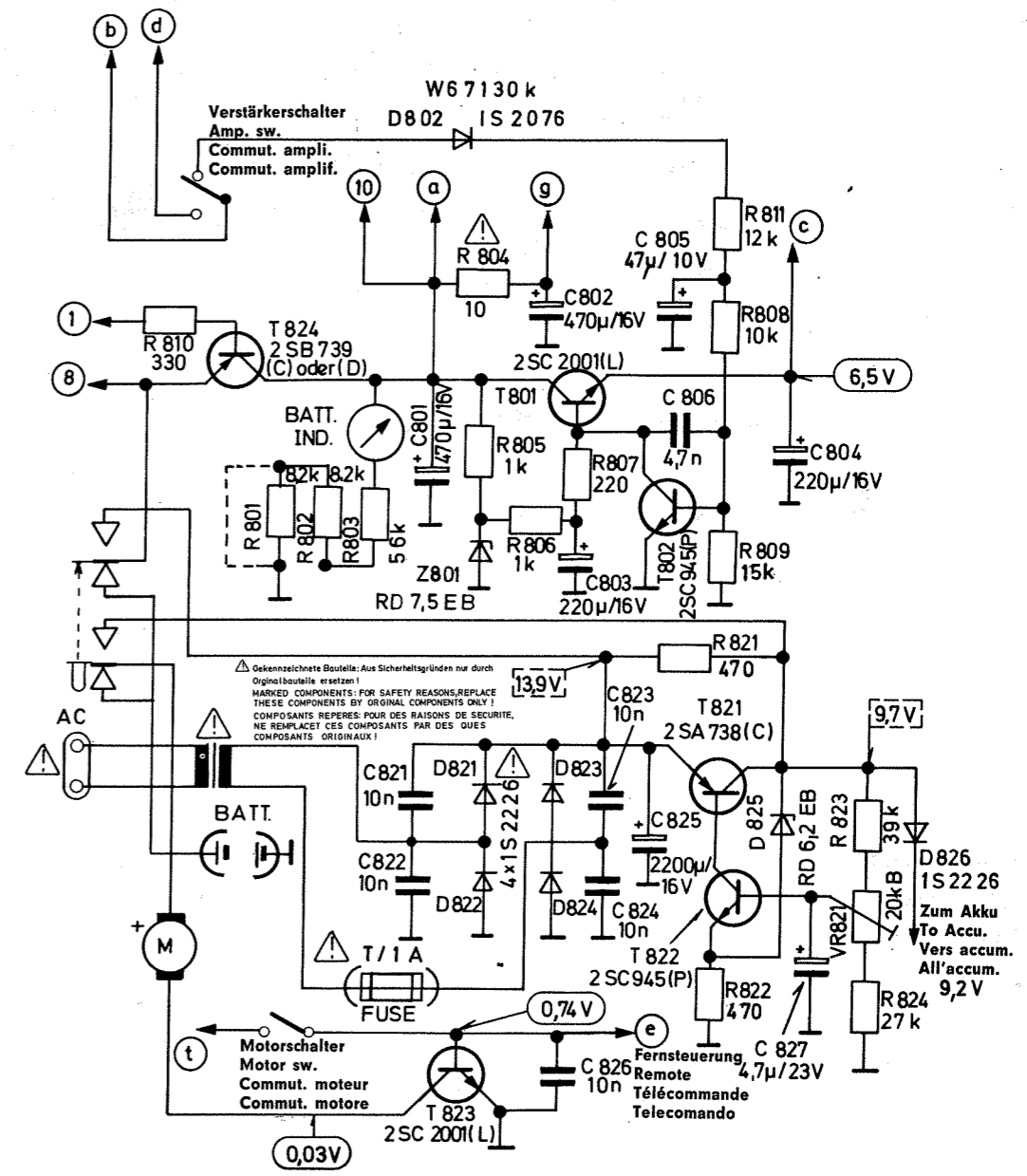
R :	171, 178, 176, 172, 279, 217, 280, 174, 173, 273, 207, 101, 275, 102, 177, 202, 221, 222, 223, 104, 123, 108, 110, 224, 209, 213, 118, 113, 111, 112, 128, 227, 225, 129, 228, 229, 242, 126, 119, 219, 230, 130, 241, 243, 215, 214, 131, 143, 132, 216, 217, 135, 115, 133, 136, 137, 134, 140, 139, 278, 181, 182, 179, 282, 276, 180, 274, 201, 109, 103, 204, 203, 122, 205, 106, 109, 210, 127, 124, 125, 142, 141, 114, 116, 117,
C :	171, 176, 177, 172, 272, 173, 174, 273, 274, 101, 175, 113, 213, 102, 201, 202, 103, 123, 103, 203, 223, 123, 104, 112, 204, 208, 105, 106, 206, 207, 107, 108, 209, 226, 215, 216, 210, 111, 211, 128, 228, 124, 217, 117, 119, 210, 211, 212, 213, 214, 215, 216, 217, 218, 219, 220, 221, 222, 223, 224, 225, 226, 227, 228, 229, 230, 231, 232, 233, 234, 235, 236, 237, 238, 239, 240, 241, 242, 243, 244, 245, 246, 247, 248, 249, 250, 251, 252, 253, 254, 255, 256, 257, 258, 259, 260, 261, 262, 263, 264, 265, 266, 267, 268, 269, 270, 271, 272, 273, 274, 275, 276, 277, 278, 279, 280, 281, 282, 283, 284, 285, 286, 287, 288, 289, 290, 291, 292, 293, 294, 295, 296, 297, 298, 299, 300, 301, 302, 303, 304, 305, 306, 307, 308, 309, 310, 311, 312, 313, 314, 315, 316, 317, 318, 319, 320, 321, 322, 323, 324, 325, 326, 327, 328, 329, 330, 331, 332, 333, 334, 335, 336, 337, 338, 339, 340, 341, 342, 343, 344, 345, 346, 347, 348, 349, 350, 351, 352, 353, 354, 355, 356, 357, 358, 359, 360, 361, 362, 363, 364, 365, 366, 367, 368, 369, 370, 371, 372, 373, 374, 375, 376, 377, 378, 379, 380, 381, 382, 383, 384, 385, 386, 387, 388, 389, 390, 391, 392, 393, 394, 395, 396, 397, 398, 399, 400, 401, 402, 403, 404, 405, 406, 407, 408, 409, 410, 411, 412, 413, 414, 415, 416, 417, 418, 419, 420, 421, 422, 423, 424, 425, 426, 427, 428, 429, 430, 431, 432, 433, 434, 435, 436, 437, 438, 439, 440, 441, 442, 443, 444, 445, 446, 447, 448, 449, 450, 451, 452, 453, 454, 455, 456, 457, 458, 459, 460, 461, 462, 463, 464, 465, 466, 467, 468, 469, 470, 471, 472, 473, 474, 475, 476, 477, 478, 479, 480, 481, 482, 483, 484, 485, 486, 487, 488, 489, 490, 491, 492, 493, 494, 495, 496, 497, 498, 499, 500, 501, 502, 503, 504, 505, 506, 507, 508, 509, 510, 511, 512, 513, 514, 515, 516, 517, 518, 519, 520, 521, 522, 523, 524, 525, 526, 527, 528, 529, 530, 531, 532, 533, 534, 535, 536, 537, 538, 539, 540, 541, 542, 543, 544, 545, 546, 547, 548, 549, 550, 551, 552, 553, 554, 555, 556, 557, 558, 559, 560, 561, 562, 563, 564, 565, 566, 567, 568, 569, 570, 571, 572, 573, 574, 575, 576, 577, 578, 579, 580, 581, 582, 583, 584, 585, 586, 587, 588, 589, 590, 591, 592, 593, 594, 595, 596, 597, 598, 599, 600, 601, 602, 603, 604, 605, 606, 607, 608, 609, 610, 611, 612, 613, 614, 615, 616, 617, 618, 619, 620, 621, 622, 623, 624, 625, 626, 627, 628, 629, 630, 631, 632, 633, 634, 635, 636, 637, 638, 639, 640, 641, 642, 643, 644, 645, 646, 647, 648, 649, 650, 651, 652, 653, 654, 655, 656, 657, 658, 659, 660, 661, 662, 663, 664, 665, 666, 667, 668, 669, 670, 671, 672, 673, 674, 675, 676, 677, 678, 679, 680, 681, 682, 683, 684, 685, 686, 687, 688, 689, 690, 691, 692, 693, 694, 695, 696, 697, 698, 699, 700, 701, 702, 703, 704, 705, 706, 707, 708, 709, 710, 711, 712, 713, 714, 715, 716, 717, 718, 719, 720, 721, 722, 723, 724, 725, 726, 727, 728, 729, 730, 731, 732, 733, 734, 735, 736, 737, 738, 739, 740, 741, 742, 743, 744, 745, 746, 747, 748, 749, 750, 751, 752, 753, 754, 755, 756, 757, 758, 759, 760, 761, 762, 763, 764, 765, 766, 767, 768, 769, 770, 771, 772, 773, 774, 775, 776, 777, 778, 779, 780, 781, 782, 783, 784, 785, 786, 787, 788, 789, 790, 791, 792, 793, 794, 795, 796, 797, 798, 799, 800, 801, 802, 803, 804, 805, 806, 807, 808, 809, 810, 811, 812, 813, 814, 815, 816, 817, 818, 819, 820, 821, 822, 823, 824, 825, 826, 827, 828, 829, 830, 831, 832, 833, 834, 835, 836, 837, 838, 839, 840, 841, 842, 843, 844, 845, 846, 847, 848, 849, 850, 851, 852, 853, 854, 855, 856, 857, 858, 859, 860, 861, 862, 863, 864, 865, 866, 867, 868, 869, 870, 871, 872, 873, 874, 875, 876, 877, 878, 879, 880, 881, 882, 883, 884, 885, 886, 887, 888, 889, 890, 891, 892, 893, 894, 895, 896, 897, 898, 899, 900, 901, 902, 903, 904, 905, 906, 907, 908, 909, 910, 911, 912, 913, 914, 915, 916, 917, 918, 919, 920, 921, 922, 923, 924, 925, 926, 927, 928, 929, 930, 931, 932, 933, 934, 935, 936, 937, 938, 939, 940, 941, 942, 943, 944, 945, 946, 947, 948, 949, 950, 951, 952, 953, 954, 955, 956, 957, 958, 959, 960, 961, 962, 963, 964, 965, 966, 967, 968, 969, 970, 971, 972, 973, 974, 975, 976, 977, 978, 979, 980, 981, 982, 983, 984, 985, 986, 987, 988, 989, 990, 991, 992, 993, 994, 995, 996, 997, 998, 999, 1000,



Änderungen vorbehalten!
ALTERATIONS RESERVED!
MODIFICATIONS RESERVEES!
CON RISERVA DI MODIFICA!

223, 104, 123, 108, 110, 224, 209, 213, 118, 113, 111, 22, 205, 106, 109, 210,	112, 128, 227, 225, 129, 228, 229, 242, 126, 119, 219, 230, 130, 241, 243, 215, 214, 131, 143, 132, 216, 217, 127, 124, 125, 142,	135, 115, 133, 136, 137, 134, 140, 139, 141, 114, 116, 117,
33, 123, 103, 203, 223, 123, 104, 112, 204, 208, 105, 106, 206, 207, 107, 108,	209, 226, 215, 216, 210, 111, 211, 128, 228, 124, 217, 117, 109, 116, 126, 15, 110,	118, 121, 122, 127,

Netzteil
Mains unit
Bloc secteur
Alimentatore



Gezeichnete Bauteile: Aus Sicherheitsgründen nur durch Originalbauteile ersetzen!
MARKED COMPONENTS: FOR SAFETY REASONS, REPLACE THESE COMPONENTS BY ORIGINAL COMPONENTS ONLY!
COMPOSANTS REPERES: POUR DES RAISONS DE SECURITE, NE REMPLACEZ CES COMPOSANTS PAR DES QUES COMPOSANTS ORIGINAUX!

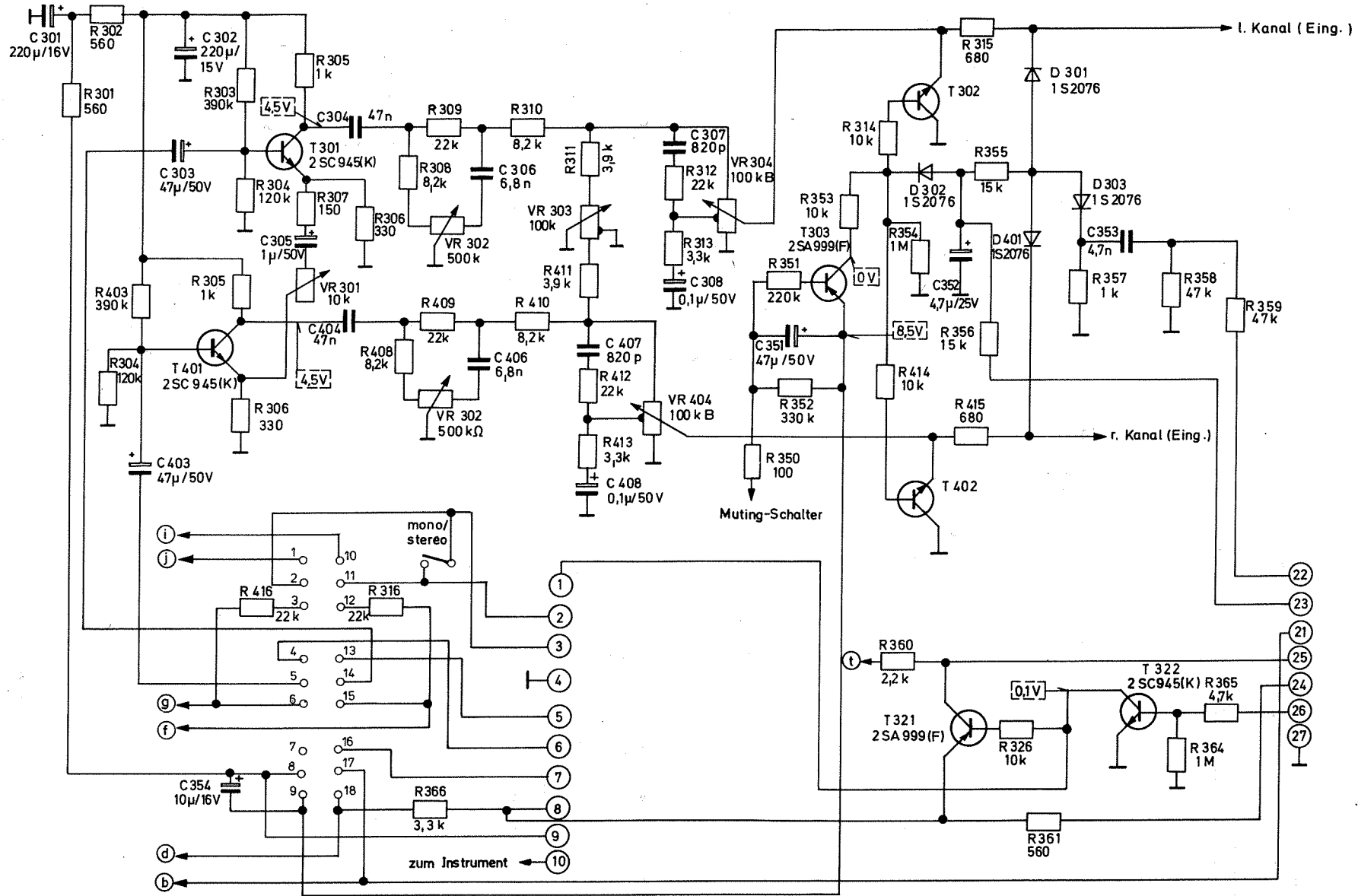
Spannungen gemessen ohne Signal bei Batteriespannung 9V
VOLTAGES MEASURED WITHOUT SIGNAL ON 9V BATTERY VOLTAGES
TENSIONS MESUREES SANS SIGNAL EN TENSION PILES 9V
TENSIONI MISURATE SENZA SEGNALE 9V DI TENSIONE DI BATTERIA

Wiedergabe, PLAYBACK, LECTURE, ASCOLTO
 Aufnahme, RECORDING, ENREGISTREMENT, REGISTRAZIONE

C:	821, 822,	801,	802, 803, 823, 826, 824,	825, 805, 806,	804, 827,
R:	810,	801,	802, 803,	804, 805, 806, 807,	821, 811, 809, 808, 822, 823, 824,

RR 750

NF-Vorverstärker
 AF preamplifier
 Préampli BF
 Preamplificatore BF



Spannungen gemessen ohne Signal bei Batteriespannung 9V
 VOLTAGES MEASURED WITHOUT SIGNAL ON 9V BATTERY VOLTAGES
 TENSIONS MESUREES SANS SIGNAL EN TENSION PILES 9V
 TENSIONI MISURATE SENZA SEGNALE 9V DI TENSIONE DI BATTERIA

MW **URW**

○ Wiedergabe, PLAYBACK, LECTURE, ASCOLTO
 ○ Aufnahme, RECORDING, ENREGISTREMENT, REGISTRAZIONE

C:	301,	403,	303,302,	354,	305,	404,	304,	306,406,	407,413,	307,308,	351,	352,	353,
R:	301,302,304,403,	306,305,302,304,416,305,	307,306,408,	316,366,409,	310,410,	411,311,	412,413,313,312,	350,352,351,	353,314,354,360,415,315,356,355,326,361,357,	358,364,365,359,	414,		

